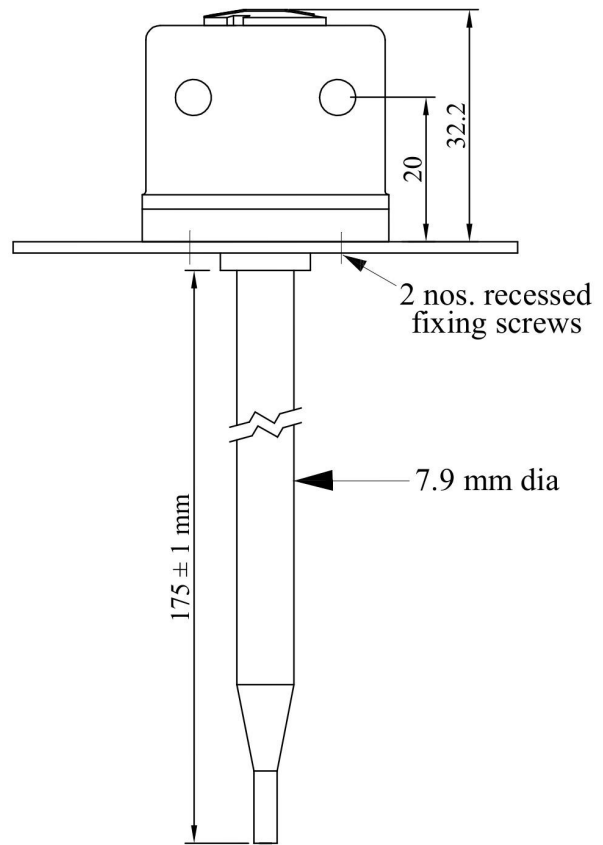

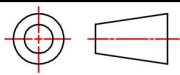


Pressure & Vibration resistant knob



Stem Length	175 mm
Temperature Range	0 - 60 / 10 - 90 / 25 - 75 / 30 - 90 / 30 - 120 deg. C
Tolerance on Operating Temperature	Within 6 deg. C
Differential	Maximum 10 deg. C
Insulation Level	2.0 kV for 1 minute
Contact Rating	20 A, 230 V, resistive
Contact configuration	Opening on temperature rise

**NOTE:**  
FIXING BRACKET IS BLACK MATT EPOXY POWDER COATED.

MATERIAL AS STATED	 <b>APT CONTROLS &amp; APPLIANCES PRIVATE LIMITED</b> Maharashtra State, INDIA.	
FINISH NATURAL	 ALL DIMENSIONS ARE IN mm	<b>PRODUCT: THERMOSTAT Mk II, 175 mm WITH PLAIN FIXING BRACKET</b>
UNSPECIFIED TOLERANCES ±0.50	DRAWN BY y k	MADE FOR: <b>SWITCH BOARDS &amp; PANELS</b>
	APPD. BY	DATE: 10/07/04    SCALE: Not To Scale    Drg. No.