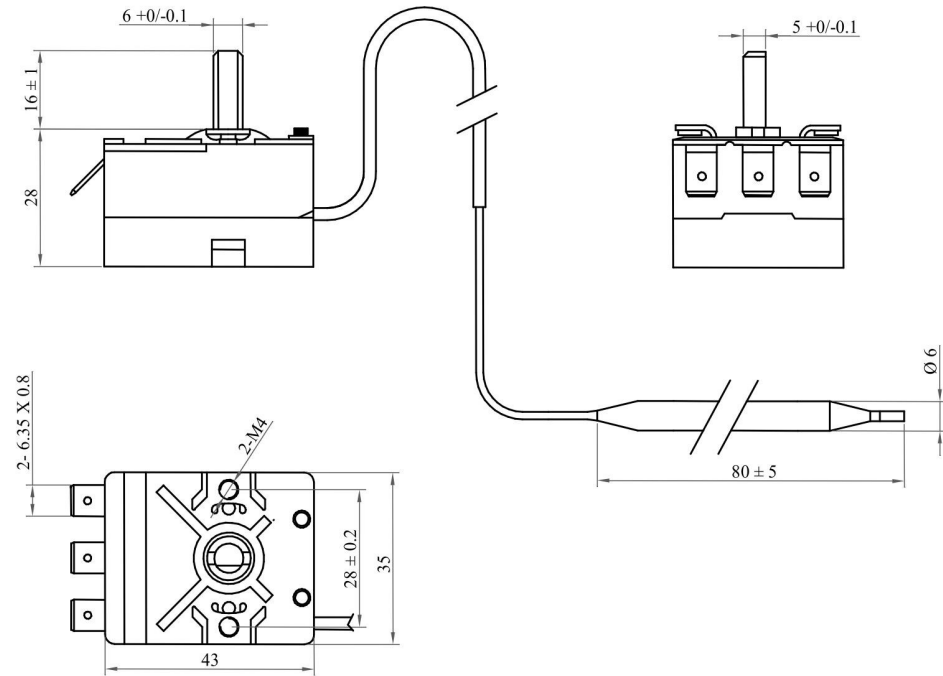


TECHNICAL DATA

Switch temperature difference	7 °C (± 4 °C tolerance)	
Sensor element	Capillary Bulb	
Contact type	Snap-action contact	
Service life	> 50,000 cycles	
Max. switching capacity	250VAC, 16 (2) A, DC 50 W	
Connection	For NC	2 Nos M3 screw terminal, clamping torque 0.5 Nm max.
	For NO-C-NC	3 Nos 6.35 x 0.8 mm tab terminal
Mounting	Through 2 Nos M4 tapped holes	
Housing	Plastic, Ceramic	
Mounting position	Variable	
Operating/Storage temperature	0 to 125 °C	
Operating/Storage humidity	Max. 95 %RH (non-condensing)	

* When connecting with stranded wires, wire end ferrules must be used.



Sl. No.	PART NO.	CONTACT	TEMPERATURE RANGE	Sl. No.	PART NO.	CONTACT	TEMPERATURE RANGE
1	CET-NC-3080	NC	30 to 80 °C	3	CET-NOCNC-3080	NO-C-NC	30 to 80 °C
2	CET-NC-30110	NC	30 to 110 °C	4	CET-NOCNC-30110	NO-C-NC	30 to 110 °C

Note: Thermostats with other temperature ranges are available on request.

MATERIAL AS STATED		APT CONTROLS & APPLIANCES PRIVATE LIMITED Maharashtra State, INDIA.	
FINISH NATURAL		PRODUCT: CAPILLARY ENLCOSURE THERMOSTAT	
UNSPECIFIED TOLERANCES ± 1.00	DRAWN BY y k	FOR: ENCLOSURES & PANELS Rev. 1	
	APPD. BY s y	DATE 20/08/2017	SCALE Not to Scale
		DRG.NO.	