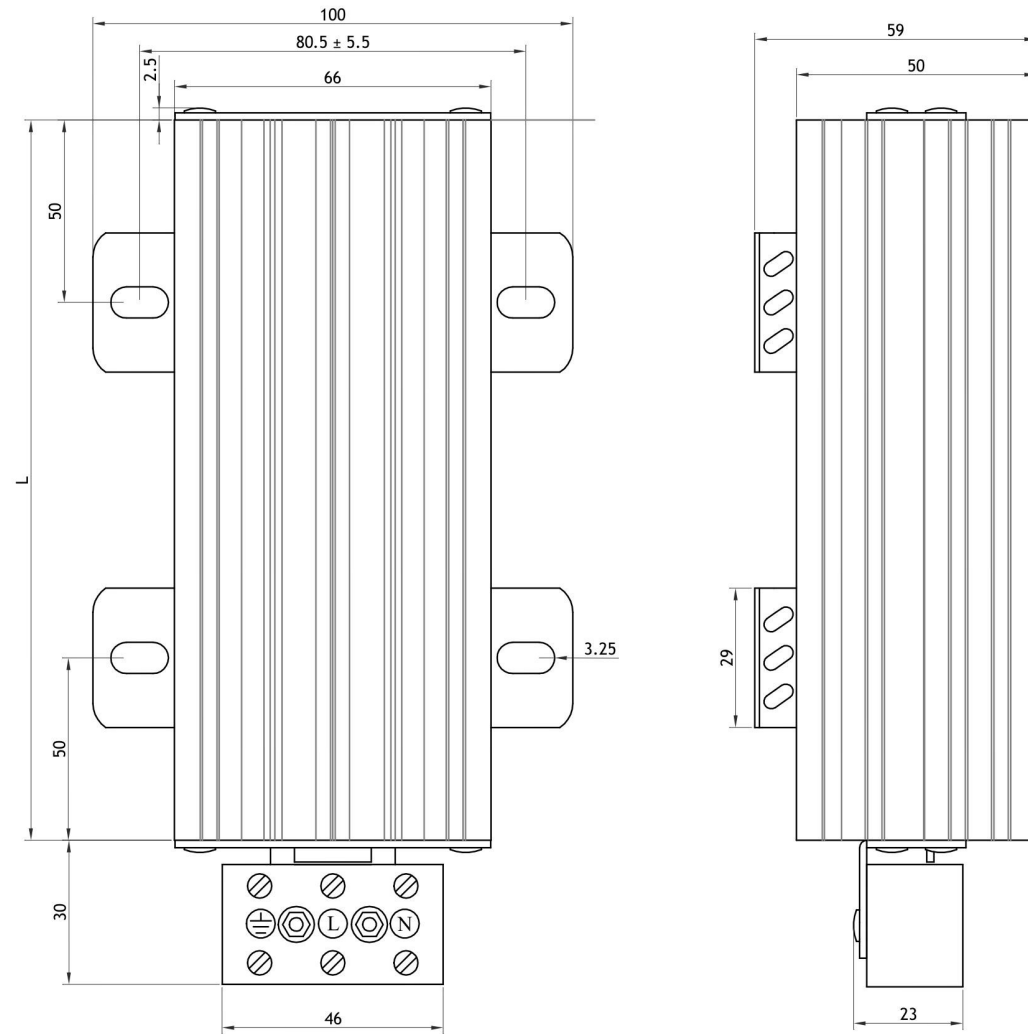


TECHNICAL DATA


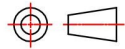
| | |
|-----------------------------|---|
| Operating Voltage | 110, 120, 220, 230, 240, 250 V AC |
| Heating Element | Invariable Resistor |
| Heater Body | Anodized Extruded Aluminium |
| Tolerance on Watts | ± 5 % max |
| Mounting position | Vertical |
| Storage Temperature | -20 to 100 °C |
| Connection | 3 Way Porcelain Connector |
| Terminals | Suitable for AWG 12 (2.5 mm ²) wires |
| Operating/ Storage Humidity | max 80% RH (non-condensing) |
| Protection Type | IP20 |
| Protection Class | I (grounded) |
| Mounting | Through 4 Nos. 6.5 x 5.5 mm holes in bracket |



RATINGS & DIMENSIONS

| Sl. No. | Length L in dwg. (mm) | Heating Capacity* |
|---------|-----------------------|-------------------|
| 1 | 200 ± 1 | 400 W |
| 2 | 250 ± 1 | 500 W |

* - Other ratings available on request

| | |
|-------------------------------|---|
| MATERIAL AS STATED |  APT CONTROLS & APPLIANCES PRIVATE LIMITED Maharashtra State, INDIA. |
| FINISH NATURAL |  PRODUCT: PANEL SPACE HEATER RESISTIVE TYPE WITH FIXING BRACKET |
| UNSPECIFIED TOLERANCES ± 1.00 | FOR: ENCLOSURES & PANELS Rev. 0 |
| DRAWN BY yk | DATE 29/09/2015 |
| APPD. BY | SCALE Not to Scale |
| | DRG.NO. |